

Flexible Shafts

Extended Wear & Durability

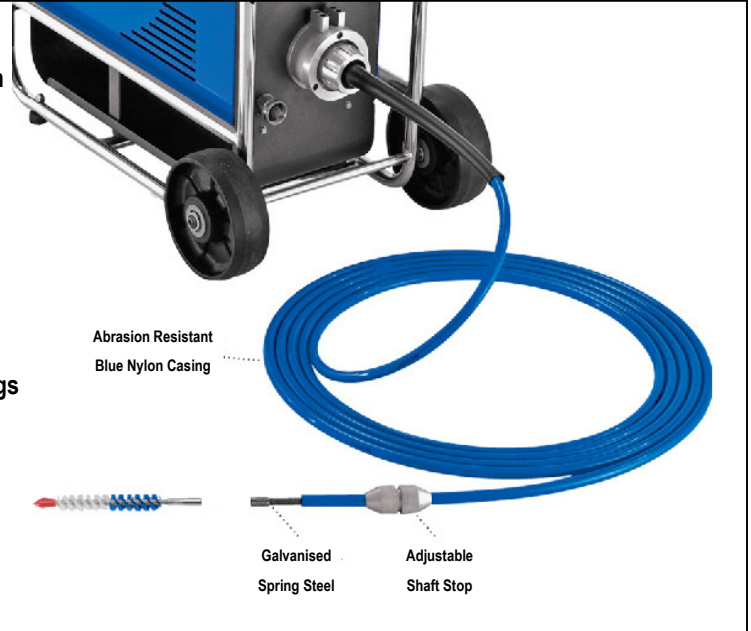
Flexible Shafts - Leading the Industry

Goodway Quick Connect flexible shafts feature a tough abrasion resistant casing designed to withstand harsh industrial environments.

The high visibility blue nylon exterior reduces tripping hazards for added workplace safety. The shafts unique strain relief system is custom moulded with a variable thickness to allow for a gradual radial bend that is far superior to a spring or coiled wire. A galvanised spring steel core comprised of multiple counter rotated windings provide unmatched performance.

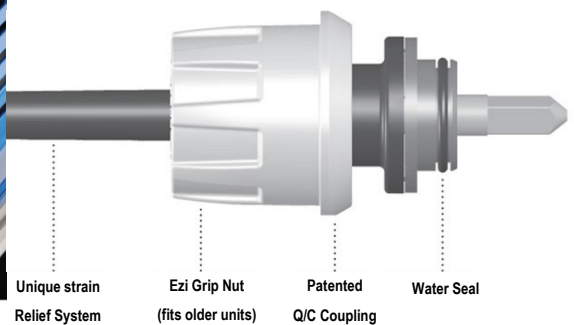
Shaft life is increased with the use of a self lubricating shaft insert for reduced friction and extended durability.

A repositionable shaft stop lets you know when the end of the tube has been reached.



Features

- Faster, easier shaft connection
- Snaps securely in to position
- Quick release connect / disconnect
- Also fits older style Goodway tube cleaners



FLEXIBLE SHAFT DIMENSIONS

Shaft Number	701	702	703	704	720
Casing OD (mm)	6.4	9.5	12.7	14.3	19.1
Tool End Thread (female)	8-32	1/4-28	1/4-28	1/4-28	1/2-12

Flexible Shafts

WET/DRY APPLICATIONS

Flexible Shafts (Nylon Casing) for Tubes 6.4 to 9.5mm ID	
Part No	
9980108075	GTC-701-12PRO (3.7m)
9980108080	GTC-701-25PRO (7.6m)

Flexible Shafts (Nylon Casing) for Tubes 11.1 to 12.7mm ID	
Part No	
9980108142	GTC-702-12PRO (3.7m)
9980108147	GTC-702-17PRO (5.2m)
9980108157	GTC-702-25PRO (7.6m)
9980108180	GTC-702-35PRO (10.7m)
9980108185	GTC-702-45PRO (13.7m)

Flexible Shafts (Nylon Casing) for Tubes 14.3 to 25.4mm ID	
Part No	
9980108230	GTC-703-12PRO (3.7m)
9980108275	GTC-703-17PRO (5.2m)
9980108282	GTC-703-25PRO (7.6m)
9980108305	GTC-703-35PRO (10.7m)
9980108330	GTC-703-45PRO (13.7m)
9980108335	GTC-703-60PRO (18.3m)
9980108340	GTC-703-75PRO (22.9m)

Flexible Shafts (Nylon Casing) for Tubes 17.5 to 25.4mm ID	
Part No	
9980108535	GTC-704-12PRO (3.7m)
9980108540	GTC-704-17PRO (5.2m)
9980108545	GTC-704-25PRO (7.6m)
9980108555	GTC-704-35PRO (10.7m)
9980108560	GTC-704-45PRO (13.7m)
9980108565	GTC-704-60PRO (18.3m)
9980108570	GTC-704-75PRO (22.9m)

Flexible Shafts (Nylon Casing) for Tubes 25.4mm ID and Up	
Part No	
9980108900	GTC-720-15PRO (4.6m)
9980108905	GTC-720-25PRO (7.6m)
9980108915	GTC-720-35PRO (10.7m)
9980108955	GTC-720-50PRO (15.2m)